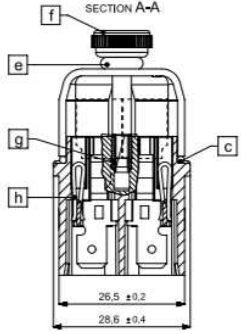
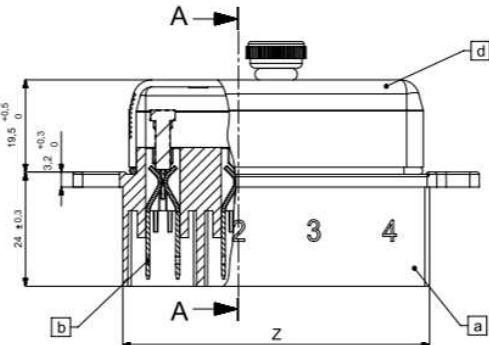
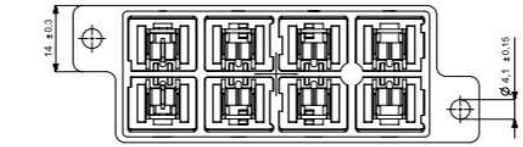


Notlar/ Notes



Fuse Box Dimensions				
	2 Pole	4 Pole	6 Pole	8 Pole
X	46 ± 0.3	78 ± 0.5	110 ± 0.5	142 ± 0.8
Y	54 ± 0.3	86 ± 0.5	118 ± 0.5	150 ± 0.8
Z	33 ± 0.3	65 ± 0.5	97 ± 0.5	129 ± 0.8

- * Voltage 12/24V
- * Current 3A-30A
- * Voltage drop max. 250 mV
- * High temperature test 2 hrs @ +95 °C
- * Low temperature test 72 hrs @ -40 °C
- * Fuse replacing force 20-40N

Cover Side Protection Level :
Cover Without Screw IP53
Cover With Screw IP56

Item	Designation	Material	Hardness	Coating	Color	Weight (g)
a	Housing	PA66 GF25	N/A	N/A	See Selection Section 3	2 Pole
						4 Pole
						6 Pole
						8 Pole
b	Contact	CuSn6	160-190 HV (R500)	Ag / 1-3µm	N/A	2,1
						0,2
						0,3
						0,4
c	O-Ring	NBR	50 ShoreA	N/A	Black	0,5
						4,15
						7,3
						10,9
d	Cover	PC	N/A	N/A	Transparent	14,5
						0,1
						3,3
						0,35
e	O-Ring	PERBUNAN	70 ShoreA	N/A	Black	0,1
f	Screw	11SMnPb37	112-169 HB	Zinc / 5µm	N/A	3,3
g	Nut	CuZn39Pb3	125-165 HV (R420)	N/A	N/A	0,35
h	Bridge	CuSn6	160-190 HV (R500)	Ag / 1-3µm	N/A	1,5

* Has to be ordered separately
NOTE : To insert the bridge push it all the way to the stop.

ORDERING SCHEME

To select the desired product type please put the code in the bar below

1 2 3
 1- Fuse Box Types
 2- Pole
 3- Color

① FUSE BOX TYPES

WITH COVER & SCREW

WITH COVER, WITHOUT SCREW

WITHOUT COVER & SCREW

② POLE

1	2 POLE
2	4 POLE
3	6 POLE
4	8 POLE

③ COLOR

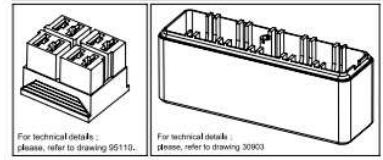
A	White
B	Black
C	Green
D	Red
E	Yellow

SPARE PARTS

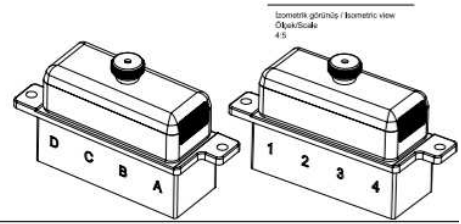
COVER		2 Pole	30887
		4 Pole	30891
		6 Pole	30895
		8 Pole	30899
COVER WITH SCREW		2 Pole	30888
		4 Pole	30892
		6 Pole	30896
		8 Pole	30900
BRIDGE			30788

* Fitting o-ring is included.

ACCESSORIES



For technical details : please, refer to drawing 95110. / For technical details : please, refer to drawing 30903



Referans References

Isometrik görünüş / Isometric view
Ölçek/Scale 4:5

KAT MEKATRONİK / KAT MECHATRONICS